

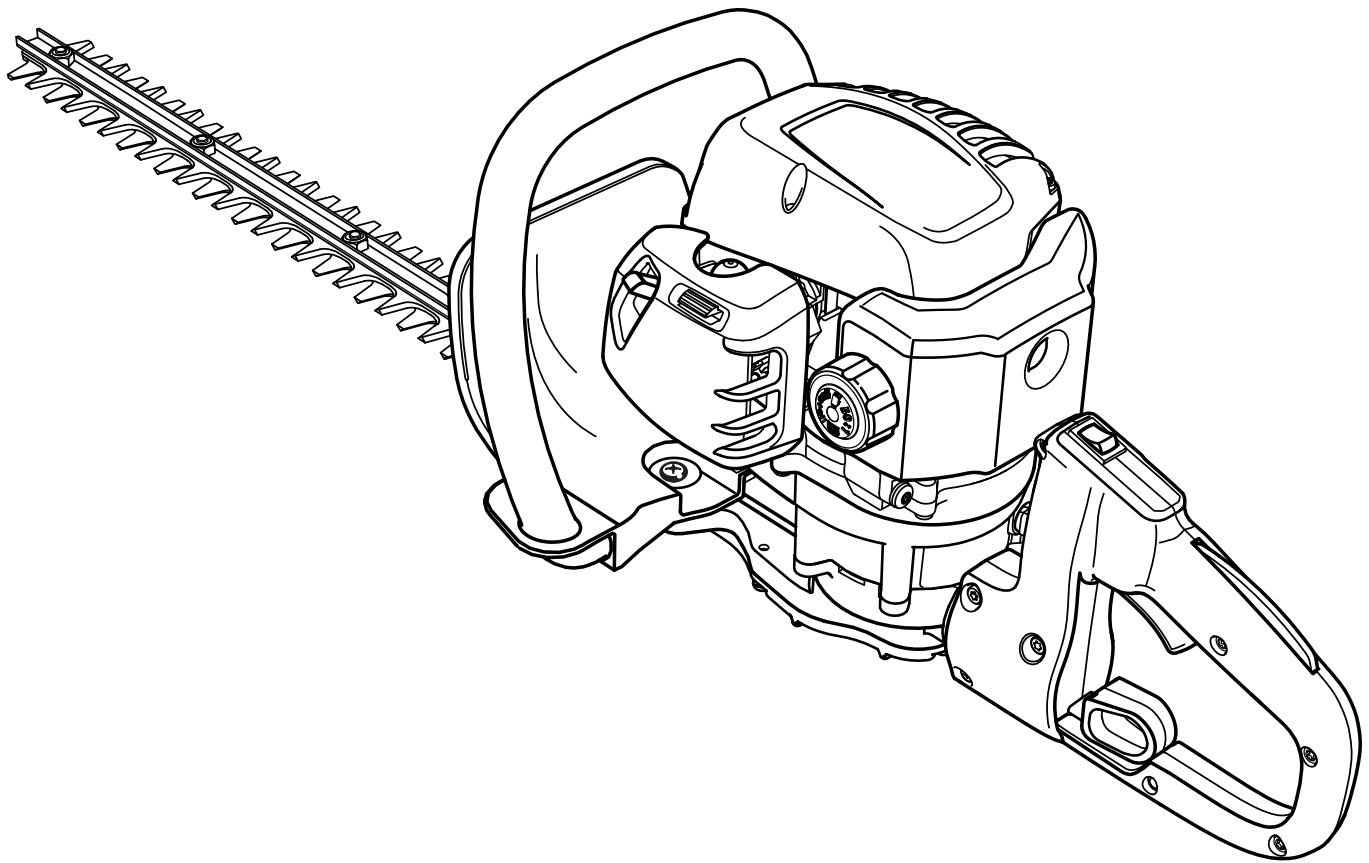


# OPERATOR'S MANUAL

## 26cc HEDGE TRIMMER

### RY39500

(ALL VERSIONS)



Your hedge trimmer has been engineered and manufactured to our high standard for dependability, ease of operation, and operator safety. Properly cared for, it will give you years of rugged, trouble-free performance.

**WARNING:** To reduce the risk of injury, the user must read and understand the operator's manual before using this product.

Thank you for your purchase.

**SAVE THIS MANUAL FOR FUTURE REFERENCE**

# TABLE OF CONTENTS

■ Introduction .....	2
■ General Safety Rules.....	3
■ Specific Safety Rules.....	4
■ Symbols.....	5-6
■ Features.....	7
■ Assembly .....	8
■ Operation.....	8-10
■ Maintenance.....	11-13
■ Troubleshooting .....	14
■ Warranty .....	15-17
■ Parts Ordering / Service .....	Back Page

## INTRODUCTION

This product has many features for making its use more pleasant and enjoyable. Safety, performance, and dependability have been given top priority in the design of this product making it easy to maintain and operate.

# GENERAL SAFETY RULES



## WARNING:

**Read and understand all instructions.** Failure to follow all instructions listed below may result in electric shock, fire, and/or serious personal injury.

## READ ALL INSTRUCTIONS

- For safe operation, read and understand all instructions before using this product. Be familiar with all controls and proper use of the machine. Follow all safety instructions. Failure to follow all safety instructions listed below, can result in serious personal injury.
- Do not allow children or untrained individuals to use this unit.
- Never start or run the engine in a closed or poorly ventilated area; breathing exhaust fumes can kill.
- Thoroughly inspect the area where the equipment is to be used and remove all foreign objects.
- Wear safety glasses or goggles that are marked to comply with ANSI Z87.1 standard and hearing protection when operating this product.
- To reduce the risk of hearing loss associated with sound level(s), hearing protection is required.
- Always be aware of your surroundings and stay alert for possible hazards that you may not hear due to the noise of the machine.
- Wear heavy, long pants, boots, and gloves. Do not wear loose fitting clothing, short pants, or go barefoot. Do not wear jewelry of any kind.
- Heavy protective clothing may increase operator fatigue, which could lead to heat stroke. During weather that is hot and humid, heavy work should be scheduled for early morning or late afternoon hours when temperatures are cooler.
- Product users on United States Forest Service land, and in some states, must comply with fire prevention regulations. This product is equipped with a spark arrestor; however, other user requirements may apply. Check with your federal, state, or local authorities.
- Secure long hair above shoulder level to prevent entanglement in moving parts.
- Keep all bystanders, children, and pets at least 50 ft. away.
- Do not operate this unit when you are tired, ill, or under the influence of alcohol, drugs, or medication.
- Do not operate in poor lighting.
- Keep firm footing and balance. Do not overreach. Overreaching can result in loss of balance or exposure to hot surfaces.
- Keep all parts of your body away from any moving part.
- Do not touch area around the muffler or cylinder of the unit; these parts get hot from operation.
- Always stop the engine and remove the spark plug wire before making any adjustments or repairs except for carburetor adjustments.

- Inspect the unit before each use for loose fasteners, fuel leaks, etc. Replace any damaged parts before use.
- It has been reported that vibrations from hand-held tools may contribute to a condition called Raynaud's Syndrome in certain individuals. Symptoms may include tingling, numbness, and blanching of the fingers, usually apparent upon exposure to cold. Hereditary factors, exposure to cold and dampness, diet, smoking, and work practices are all thought to contribute to the development of these symptoms. It is presently unknown what, if any, vibrations or extent of exposure may contribute to the condition. There are measures that can be taken by the operator to possibly reduce the effects of vibration:
  - a) Keep your body warm in cold weather. When operating the unit wear gloves to keep your hands and wrists warm. It is reported that cold weather is a major factor contributing to Raynaud's Syndrome.
  - b) After each period of operation, exercise to increase blood circulation.
  - c) Take frequent work breaks. Limit the amount of exposure per day.
  - d) Keep the product well maintained, fasteners tightened and worn parts replaced.

If you experience any of the symptoms of this condition, immediately discontinue use and see your physician about these symptoms.










- Mix and store fuel in a container approved for gasoline.
- Mix fuel outdoors where there are no sparks or flames. Wipe up any fuel spillage. Move 30 ft. away from refueling site before starting engine.
- Stop the engine and allow to cool before refueling or storing the unit.
- Allow the engine to cool; empty the fuel tank and secure the unit from moving before transporting in a vehicle.
- Use only original manufacturer's replacement parts. Failure to do so may cause poor performance, possible injury, and will void your warranty.
- Do not, under any circumstance, use any attachment or accessory on this product, which was not provided with the product, or identified as appropriate for use with this product in the operator's manual.
- Avoid dangerous environments. Do not use the attachment in damp or wet locations. Do not use in rain.
- Do not use on steps, a ladder, or unstable support. Stable footing on a solid surface enables better control of the tool in unexpected situations.
- Do not force the hedge trimmer. It will do the job better and with less likelihood of a risk of injury at the rate for which it was designed.
- Keep hands away from cutting area. Keep hands away from blades. Do not reach underneath work or around or over the blade while blade is rotating. Do not attempt to remove cut material when blade is moving.
- Blade coasts after being turned off.

## SPECIFIC SAFETY RULES

- Use heavy gloves when operating the hedge trimmer and when cleaning, installing or removing blades.
- Always stop the engine and remove the spark plug wire before attempting to remove any obstruction caught or jammed in the blade or before removing and installing the blade. Wear heavy gloves.
- Replace any blade that has been damaged. Always make sure blade is installed correctly and securely fastened before each use. Failure to do so can cause serious injury.
- Never cut any material over 3/4 in. diameter.
- Maintain a firm grip on both handles while cutting with a blade. Keep the blade away from body.
- Know how to stop the unit quickly in an emergency.
- Do not use trimmer without front handles in place. Keep both hands on handles when the unit is in use.
- To avoid accidental starting, never carry the unit with the engine running.
- Save these instructions. Refer to them frequently and use them to instruct others who may use this tool. If you loan someone this tool, loan them these instructions also to prevent misuse of the product and possible injury.




# SYMBOLS

Some of the following symbols may be used on this product. Please study them and learn their meaning. Proper interpretation of these symbols will allow you to operate the product better and safer.

SYMBOL	NAME	EXPLANATION
	Safety Alert Symbol	Precautions that involve your safety.
	Read the Operator's Manual	To reduce the risk of injury, user must read and understand operator's manual before using this product.
	Wear Eye and Hearing Protection	Wear eye protection which is marked to comply with ANSI Z87.1 as well as hearing protection when operating this equipment.
	Keep Bystanders Away	Keep all bystanders at least 50 ft. away.
	Hot Surface	To reduce the risk of injury or damage, avoid contact with any hot surface.
	Operate With Two Hands	Hold and operate the hedge trimmer properly with both hands.
	Sharp Blade	Do not install or use any type of blade on a product displaying this symbol.
	Risk of Electrocution	DANGER! Risk of electrocution!
	Gasoline and Lubricant	Use unleaded gasoline intended for motor vehicle use with an octane rating of 87 [(R + M) / 2] or higher. This product is powered by a 2-cycle engine and requires pre-mixing gasoline and 2-cycle lubricant.

# SYMBOLS

The following signal words and meanings are intended to explain the levels of risk associated with this product.

SYMBOL	SIGNAL	MEANING
	<b>DANGER:</b>	Indicates an imminently hazardous situation, which, if not avoided, will result in death or serious injury.
	<b>WARNING:</b>	Indicates a potentially hazardous situation, which, if not avoided, could result in death or serious injury.
	<b>CAUTION:</b>	Indicates a potentially hazardous situation, which, if not avoided, may result in minor or moderate injury.
	<b>CAUTION:</b>	(Without Safety Alert Symbol) Indicates a situation that may result in property damage.

## SERVICE

Servicing requires extreme care and knowledge and should be performed only by a qualified service technician. For service we suggest you return the product to the nearest **AUTHORIZED SERVICE CENTER** for repair. When servicing, use only identical replacement parts.



### WARNING:

To avoid serious personal injury, do not attempt to use this product until you read thoroughly and understand completely the operator's manual. If you do not understand the warnings and instructions in the operator's manual, do not use this product. Call Ryobi customer service for assistance.



### WARNING:



The operation of any power tool can result in foreign objects being thrown into your eyes, which can result in severe eye damage. Before beginning power tool operation, always wear safety goggles or safety glasses with side shields and, when needed, a full face shield. We recommend Wide Vision Safety Mask for use over eyeglasses or standard safety glasses with side shields. Always use eye protection which is marked to comply with ANSI Z87.1.

## SAVE THESE INSTRUCTIONS

# FEATURES

## PRODUCT SPECIFICATIONS

Cutting Capacity.....	3/4 in.	Power .....	0.8 HP
Total Blade Length.....	22 in.	Cutting Strokes Per Minute .....	3,000-3,200
Fuel Tank Capacity .....	10 oz.	Weight .....	10.8 lbs.

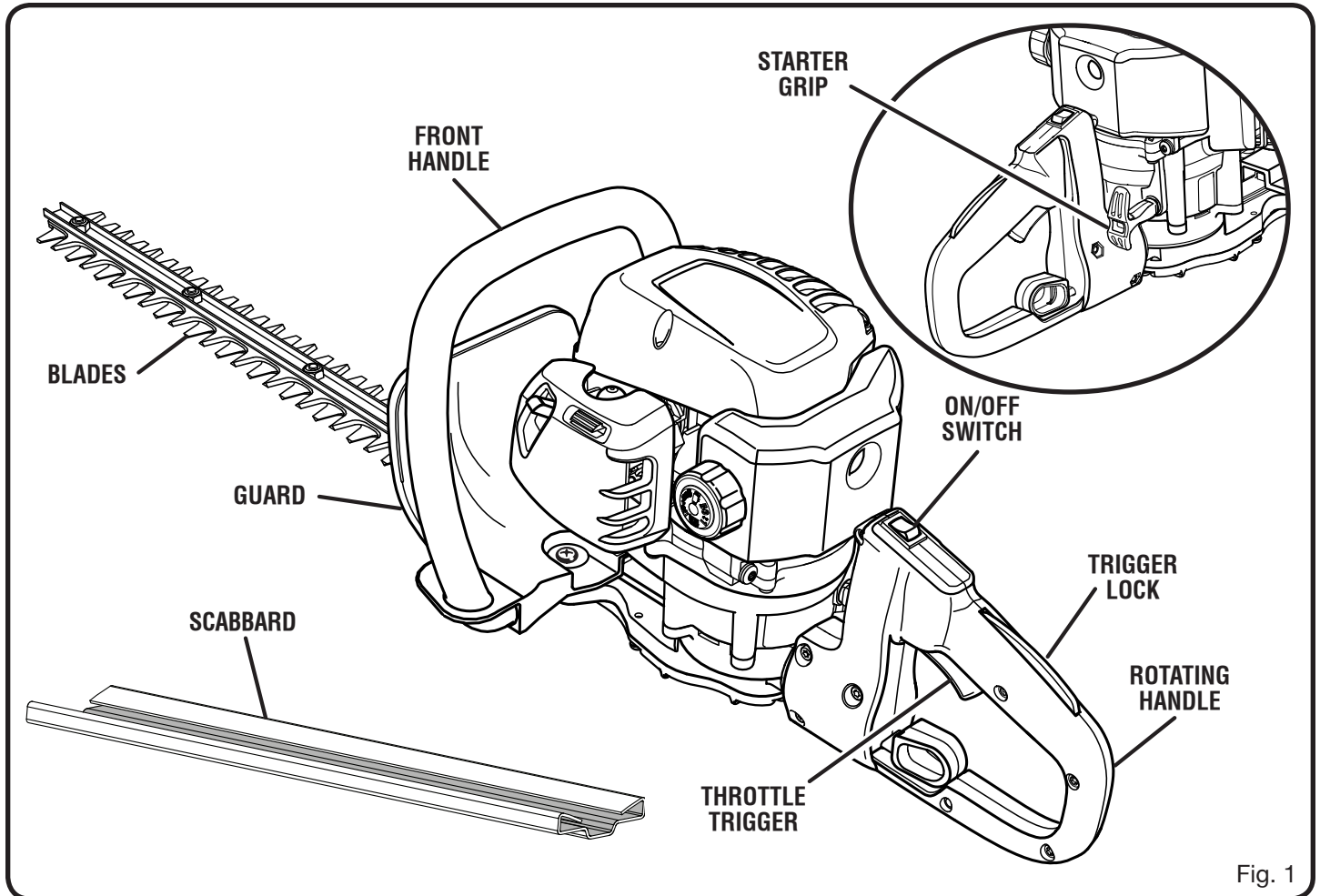


Fig. 1

## KNOW YOUR HEDGE TRIMMER

See Figure 1.

The safe use of this product requires an understanding of the information on the tool and in this operator's manual as well as a knowledge of the project you are attempting. Before use of this product, familiarize yourself with all operating features and safety rules.

### GUARD

The guard helps to deflect chips or other debris away from the operator's hands.

### ROTATING HANDLE

The handle can be rotated to lock at either side in 45° or 90° angles for ease of use when trimming. This is a handy feature when trimming vertically or along the sides of shrubbery.

### SCABBARD

The scabbard keeps the operator from coming in contact with the sharp blades when the tool is not in use. It also helps keep the blades from being nicked or damaged when the tool is in storage.

### TRIGGER LOCK

The trigger lock prevents unintentional starting of the hedge trimmer blades.

# ASSEMBLY

## UNPACKING

This product has been shipped completely assembled.

- Carefully remove the product and any accessories from the box. Make sure that all items listed in the packing list are included.
- Inspect the product carefully to make sure no breakage or damage occurred during shipping.
- Do not discard the packing material until you have carefully inspected and satisfactorily operated the product.
- If any parts are damaged or missing, please call 1-800-860-4050 for assistance.

## PACKING LIST

Hedge Trimmer  
Scabbard  
2-Cycle Engine Lubricant  
Operator's Manual

### **WARNING:**

If any parts are damaged or missing do not operate this product until the parts are replaced. Failure to heed this warning could result in serious personal injury.

### **WARNING:**

Do not attempt to modify this product or create accessories not recommended for use with this product. Any such alteration or modification is misuse and could result in a hazardous condition leading to possible serious personal injury.

### **WARNING:**

To prevent accidental starting that could cause serious personal injury, always disconnect the engine spark plug wire from the spark plug when assembling parts.

# OPERATION

### **WARNING:**

Do not allow familiarity with products to make you careless. Remember that a careless fraction of a second is sufficient to inflict serious injury.

### **WARNING:**

Always wear safety goggles or safety glasses with side shields when operating power tools. Failure to do so could result in objects being thrown into your eyes resulting in possible serious injury.

### **WARNING:**

Do not use any attachments or accessories not recommended by the manufacturer of this product. The use of attachments or accessories not recommended can result in serious personal injury.

## APPLICATIONS

You may use this product for the purposes listed below:

- Trimming and shaping hedges and shrubbery

## FUELING AND REFUELING THE TRIMMER

### FUEL MIXTURE

This product is powered by a 2-cycle engine and requires pre-mixing gasoline and 2-cycle lubricant. Pre-mix unleaded

gasoline and 2-cycle engine lubricant in a clean 1 gallon container approved for gasoline.

- This engine is certified to operate on unleaded gasoline intended for automotive use.
- Mix high quality 2-cycle engine lubricant at 2.6 oz. per gallon.
- Do not use automotive lubricant or 2-cycle outboard lubricant.
- DO NOT mix quantities larger than usable in a 30-day period.

### PREMIUM EXACT MIX (50:1)



#### GASOLINE

1 gallon (US)  
1 liter

#### LUBRICANT

2.6 oz.  
20 cc (20 ml)

## OXYGENATED FUELS

Some conventional gasolines are blended with alcohol or an ether compound. These gasolines are collectively referred to as oxygenated fuels. To meet clean air standards, some areas of the United States and Canada use oxygenated fuels to help reduce emissions.

If using an oxygenated fuel, make sure it is unleaded and meets the minimum octane rating requirements. Before using an oxygenated fuel, try to confirm the fuel's contents. Some states/provinces require this information to be posted on the pump. The following are the EPA approved percentages of oxygenates:

**Ethanol (ethyl or grain alcohol) 10% by volume.** You may use gasoline containing up to 10% ethanol by volume. Gasoline containing ethanol may be marketed under the



# OPERATION

name "Gasohol." **Do not use E85 fuel.**

**MTBE (methyl tertiary butyl ether) 15% by volume.** You may use gasoline containing up to 15% MTBE by volume.

**Methanol (methyl or wood alcohol) 5% by volume.** You may use gasoline containing up to 5% methanol by volume as long as it also contains cosolvents and corrosion inhibitors to protect the fuel system. Gasoline containing more than 5% methanol by volume may cause starting and/or performance problems. It may also damage metal, rubber, and plastic parts of the product or your fuel system.

If you notice any undesirable operating symptoms, try another service station or switch to another brand of gasoline.

**NOTE:** Fuel system damage or performance problems resulting from the use of an oxygenated fuel containing more than the percentages of oxygenates stated previously are not covered under warranty.

## FILLING TANK

- Position the hedge trimmer on its side with the fuel cap pointing upward.
- Clean surface around fuel cap to prevent contamination.
- Loosen fuel cap slowly. Rest the cap on a clean surface.
- Carefully pour fuel into the tank. Avoid spillage.
- Immediately replace fuel cap and hand tighten. Wipe up any fuel spillage.

**NOTE:** It is normal for smoke to be emitted from a new engine after first use.

## WARNING:

Always shut off engine before fueling. Never add fuel to a machine with a running or hot engine. Move at least 30 ft. from refueling site before starting engine. Do not smoke! Failure to heed this warning could result in serious personal injury.

## STARTING AND STOPPING

See Figures 2 - 4.

### To start a cold engine:

The starting method differs depending on whether the engine is cold or warm.

- Place the hedge trimmer on level ground and ensure that no objects or obstructions are in the immediate vicinity that could come in contact with the blades.
- Hold the front handle firmly with your left hand and put your right foot onto the base of the rear handle.
- PRIME - Press the primer bulb 7 times.
- SET the start lever to the START position.
- PULL the rope until the engine starts.
- Allow the engine to run for 6-10 seconds.
- Squeeze throttle trigger lock and throttle trigger.

**NOTE:** Squeezing and releasing the throttle trigger releases the start lever to the **RUN** position.

### To start a warm engine:

PULL the rope until the engine starts.

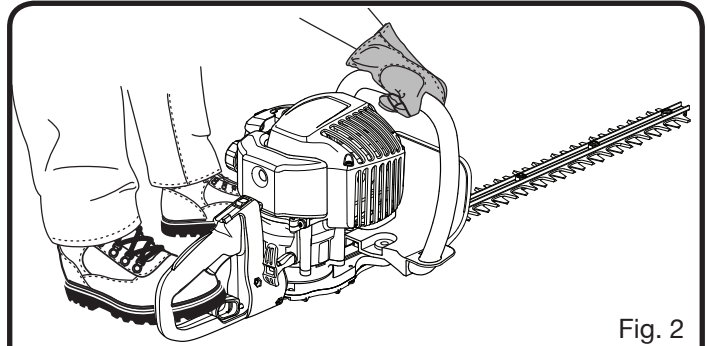


Fig. 2

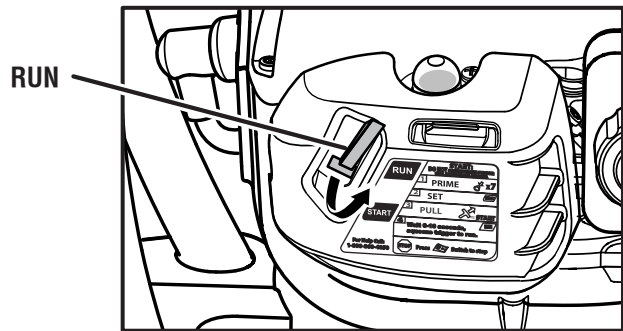
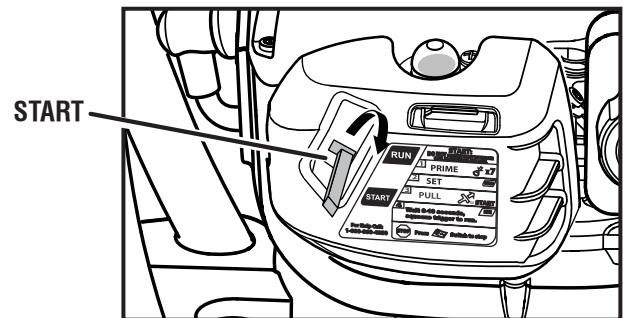


Fig. 3

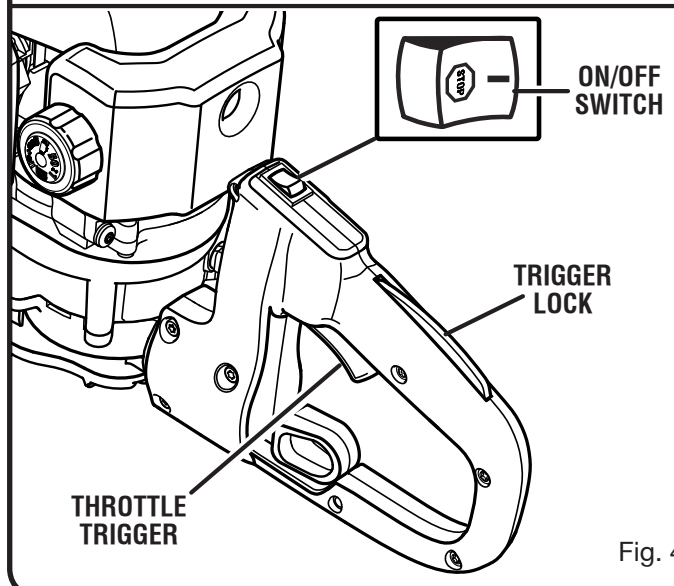


Fig. 4

### To stop the engine:

Press and hold the on/off switch in the stop "STOP" position until the engine stops.

# OPERATION

## **!** WARNING:

When the engine starts with the throttle trigger locked, the blades will move. Keep body, objects, and obstructions away from blades. Failure to keep away from the blades can result in serious injury.

## ROTATING HANDLE

See Figure 5.

The handle can be rotated 45° or 90° to the left or to the right.

### To rotate handle:

- Shut off the hedge trimmer.
- Disengage the throttle trigger.
- Pull back on the rotating handle knob.
- Turn handle to the right or to the left.
- Release rotating handle knob.
- Keep turning handle until it locks into place in one of the 45° or 90° positions.

**NOTE:** The trimmer will only operate at one of these locked positions. The handle is locked when the rotating handle knob is securely into place, is not extended, and the handle will no longer move to either side.

## CUTTING TIPS

See Figure 6.

## **!** WARNING:

Always keep both hands on the hedge trimmer handles. Never hold shrubs with one hand and operate hedge trimmer with the other. Failure to heed this warning can result in serious injury.

## **!** WARNING:

Clear the area to be cut before each use. Remove all objects such as cords, lights, wire, or loose string which can become entangled in the cutting blade and create a risk of serious personal injury.

- Do not force the hedge trimmer through heavy shrubbery. This can cause the blades to bind and slow down. If the blades slow down, reduce the pace.
- Do not attempt to cut stems or twigs that are larger than 3/4 in. thick, or those obviously too large to feed into the cutting blade. Use a non-powered hand saw or pruning saw to trim large stems.
- If blades do become jammed, stop the engine, allow the blades to stop, and remove the obstruction.
- If desired, you can use a string to help cut your hedge level. Decide how high you want the hedge. Stretch a piece of string along the hedge at the desired height. Trim the hedge just above the guide line of string. Trim the side of

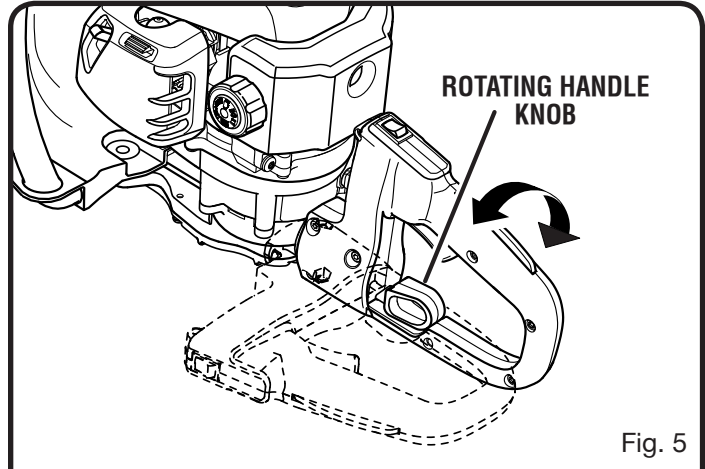


Fig. 5

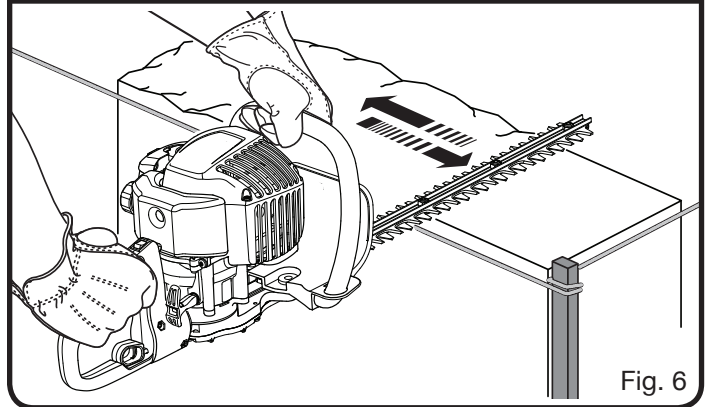


Fig. 6

a hedge so that it will be slightly narrower at the top. More of the hedge will be exposed when shaped this way, and it will be more uniform.

- Always wear gloves when using the hedge trimmer. When trimming new growth, use a wide sweeping action, so that the stems are fed directly into the cutting blade. Older growth will have thicker stems and will be trimmed easiest by using a sawing movement.

## OPERATING THE HEDGE TRIMMER

## **!** WARNING:

Read the safety information for safe operation using the blade. Extreme care must be taken when using blades to ensure safe operation. Refer to *Specific Safety Rules*.

- Always hold hedge trimmer with both hands when operating. Use a firm grip on the handles. The unit is used for cutting in either direction in a slow, sweeping action from side to side.
- The hedge trimmer should be positioned so that your body will not come into contact with the muffler on the power head. Stand so that you are stable and balanced on both feet.
- Inspect and clear the area of any hidden objects.
- Never use the hedge trimmer near power lines, fencing, posts, buildings, or other immovable objects.
- Never use a blade after hitting a hard object without first inspecting it for damage. Do not use if any damage is detected.

# MAINTENANCE

## **⚠ WARNING:**

When servicing, use only identical replacement parts. Use of any other parts may create a hazard or cause product damage.

## **⚠ WARNING:**

Always wear safety goggles or safety glasses with side shields during product operation. If operation is dusty, also wear a dust mask.

## **⚠ WARNING:**

Before inspecting, cleaning, or servicing the machine, shut off engine, wait for all moving parts to stop, and disconnect spark plug wire and move it away from spark plug. Failure to follow these instructions can result in serious personal injury or property damage.

## GENERAL MAINTENANCE

Avoid using solvents when cleaning plastic parts. Most plastics are susceptible to damage from various types of commercial solvents and may be damaged by their use. Use clean cloths to remove dirt, dust, lubricant, grease, etc.

## **⚠ WARNING:**

Do not at any time let brake fluids, gasoline, petroleum-based products, penetrating lubricants, etc., come in contact with plastic parts. Chemicals can damage, weaken or destroy plastic which may result in serious personal injury.

Only the parts shown on the parts list are intended to be repaired or replaced by the customer. All other parts should be replaced at an Authorized Service Center.

## **⚠ WARNING:**

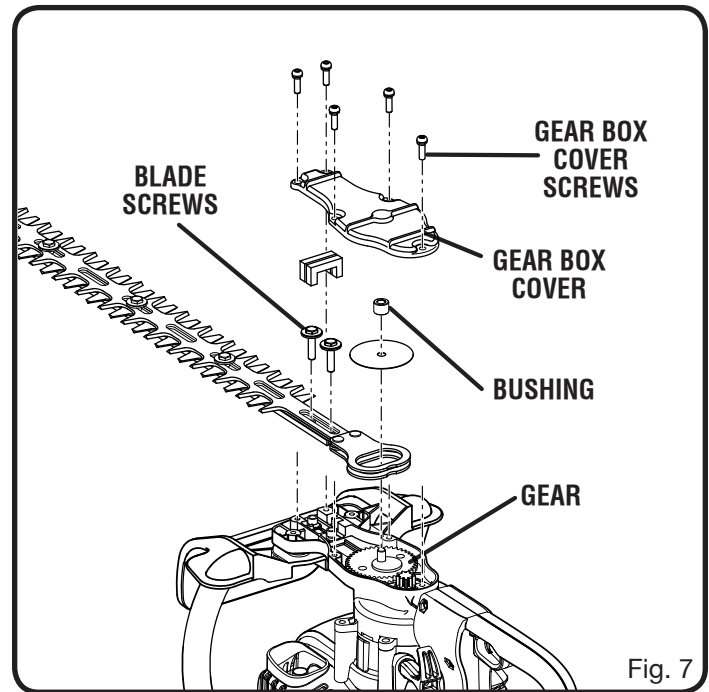
Blades are sharp. When handling the blade assembly, wear non-slip, heavy-duty protective gloves. Do not place your hand or fingers between blades or in any position where they could get pinched or cut. NEVER touch blades or service unit with the spark plug wire connected.

## REPLACING BLADES

See Figure 7.

Periodically inspect the blades for damage and wear. Always use the manufacturer's specified replacement blades.

- Stop the engine and disconnect the spark plug wire.
- Place the hedge trimmer upside down on a workbench and remove the gear box cover screws.
- Remove the gear box cover and set aside.
- Remove the blade screws.
- Remove the old blade.
- Install the new blade and reinstall blade screws to secure.
- Install the gear box cover and reinstall gear box cover screws to secure.



# MAINTENANCE

## LUBRICATING THE BLADE

See Figure 8.

For easier operation and longer blade life, lubricate the hedge trimmer blade before and after each use.

- Stop the engine and disconnect the spark plug wire.
- Lay the hedge trimmer on a flat surface. Apply light weight machine lubricant along the edge of the top blade.

If you will be using the hedge trimmer for an extended period, it is advisable to lubricate the blade during use.

**NOTE:** Do not lubricate while the hedge trimmer is running.

- Stop the engine and disconnect the spark plug wire.
- Lubricate the hedge trimmer as described above.
- Reconnect the spark plug wire and resume use.

## CLEANING THE HEDGE TRIMMER

- Stop the engine and disconnect the spark plug wire.
- Slide the scabbard over the blade.
- Clean dirt and debris from the body of the hedge trimmer, using a damp cloth with a mild detergent.

**NOTE:** Do not use any strong detergents on the plastic housing or the handle. They can be damaged by certain aromatic lubricants such as pine and lemon, and by solvents such as kerosene.

## CLEANING THE AIR FILTER SCREEN

See Figures 9 - 10.

For proper performance and long life, keep air filter clean.

- Remove the air filter cover by pushing down on the latch with your thumb while gently pulling on the cover.
- Brush the air filter screen lightly to clean.
- Replace the air filter cover by inserting the tabs on the bottom of the cover into the slots on the air filter base; push the cover up until it latches securely in place.

**NOTE:** For best performance, replace annually.

## FUEL CAP

### **WARNING:**

A leaking fuel cap is a fire hazard and must be replaced immediately.

The fuel cap contains a non-serviceable filter and a check valve. A clogged fuel filter will cause poor engine performance. If performance improves when the fuel cap is loosened, check valve may be faulty or filter clogged. Replace fuel cap if required.

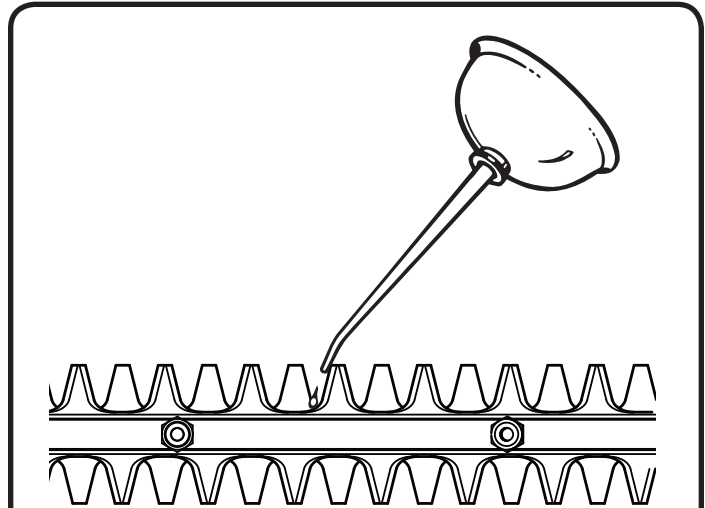


Fig. 8

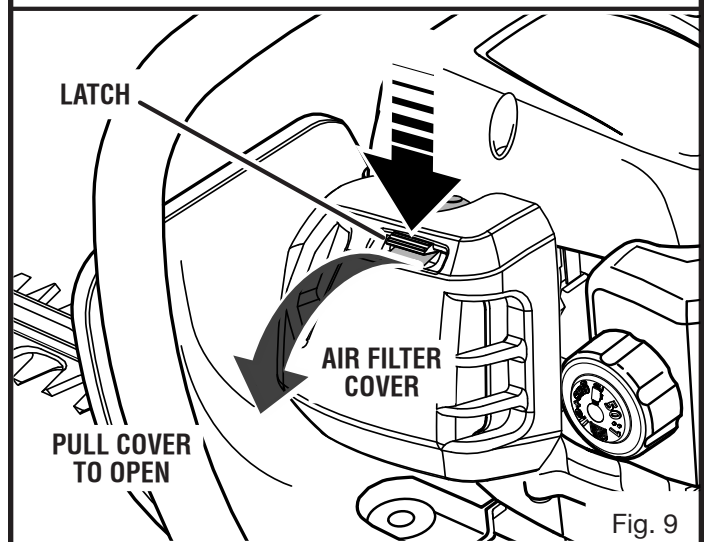


Fig. 9

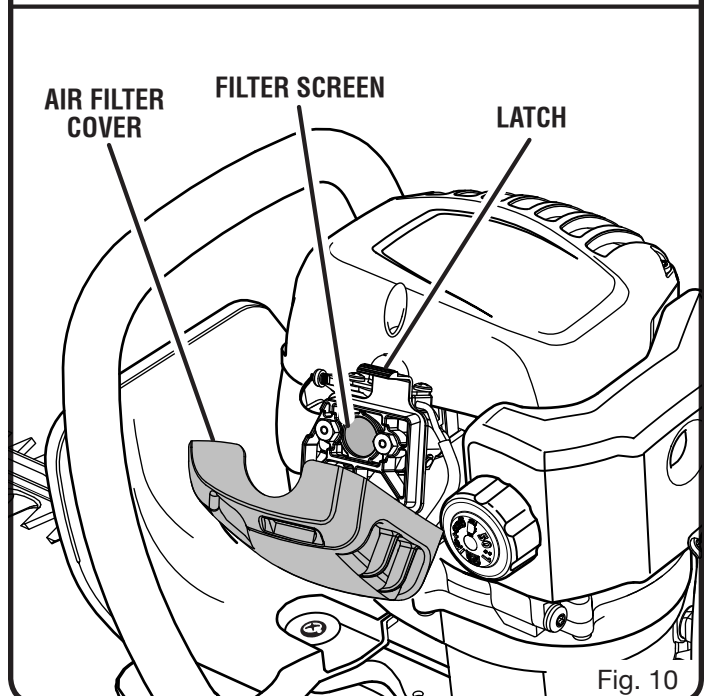


Fig. 10

# MAINTENANCE

## IDLE SPEED ADJUSTMENT

See Figure 11.

If the blades move at idle, the idle speed screw needs adjusting on the engine. Turn the idle speed screw counterclockwise to reduce the idle RPM and stop the blade movement. If the blades still move at idle speed, contact a service dealer for adjustment and discontinue use until the repair is made.

### **! WARNING:**

The blades should never move at idle. Turn the idle speed screw counterclockwise to reduce the idle RPM and stop the blades, or contact a service dealer for adjustment and discontinue use until the repair is made. Serious personal injury may result from the blades turning at idle.

## SPARK PLUG REPLACEMENT

This engine uses a Champion RCJ6Y with .025 in. electrode gap. Use an exact replacement and replace annually.

## CLEANING THE EXHAUST PORT AND MUFFLER

Depending on the type of fuel used, the type and amount of lubricant used, and/or your operating conditions, the exhaust port and muffler may become blocked with carbon deposits. If you notice a power loss with your gas powered tool, you may need to remove these deposits to restore performance. We highly recommend that only qualified service technicians perform this service.

## SPARK ARRESTOR

The spark arrestor must be cleaned or replaced every 50 hours or yearly to ensure proper performance of the product. Spark arrestors may be in different locations depending on the model purchased. Please contact the nearest service dealer for the location of the spark arrestor for your model.

## STORING THE PRODUCT

- Clean all foreign material from the product. Store idle unit indoors in a dry, well-ventilated area that is inaccessible to children. Keep away from corrosive agents such as garden chemicals and de-icing salts.
- Abide by all ISO and local regulations for the safe storage and handling of gasoline.

### When storing 1 month or longer:

- Drain all fuel from tank into a container approved for gasoline. Run engine until it stops.

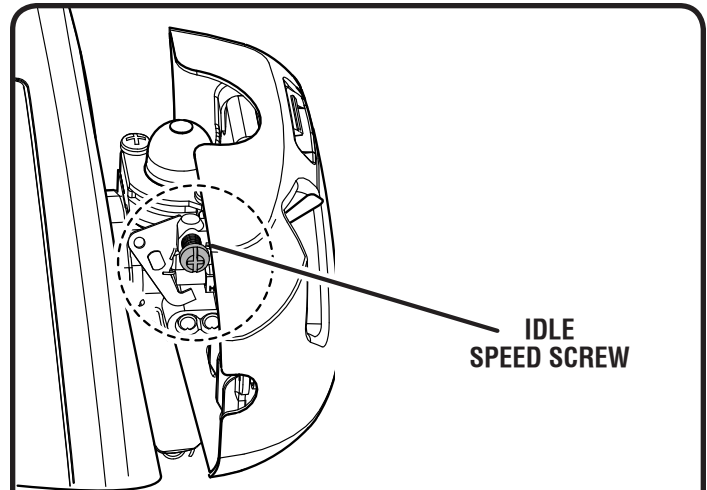


Fig. 11

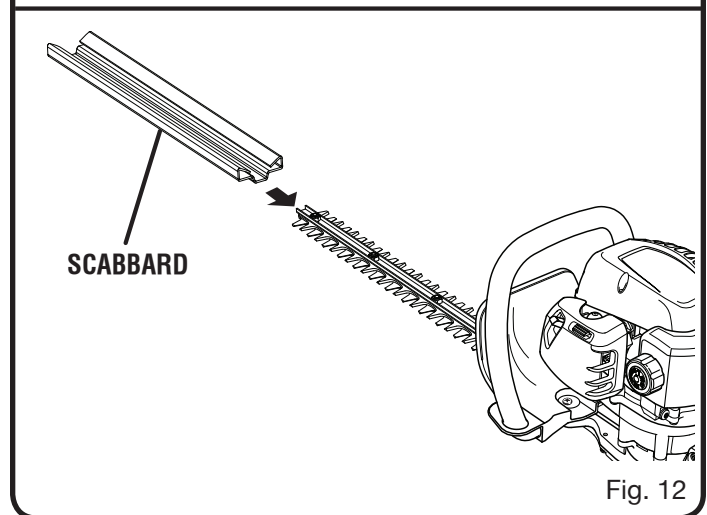


Fig. 12

# TROUBLESHOOTING

PROBLEM	POSSIBLE CAUSE	REMEDY
Engine will not start.	<p>No spark.</p> <p>No fuel.</p> <p>Engine is flooded.</p> <p>Starter rope pulls harder now than when new.</p>	<p>Clean or replace spark plug. Reset spark plug gap. Refer to <b>Spark Plug Replacement</b> earlier in this manual.</p> <p>Push primer bulb until bulb is full of fuel. If bulb does not fill, primary fuel delivery system is blocked. Contact a servicing dealer. If primer bulb fills, engine may be flooded, proceed to next item.</p> <p>Pull starter three times with choke lever at “RUN”. If engine does not start, move choke lever to “START” and repeat normal starting procedure. If engine still fails to start, repeat procedure with a new spark plug.</p> <p>Contact a servicing dealer.</p>
Engine starts but will not accelerate.	Engine requires approximately three minutes to warm up.	Allow engine to completely warm up. If engine does not accelerate after three minutes, contact a servicing dealer.
Engine starts but will only run at high speed at half choke.	Carburetor requires adjustment.	Contact a servicing dealer.
Engine does not reach full speed and emits excessive smoke.	<p>Check lubricant fuel mixture.</p> <p>Air filter screen is dirty.</p> <p>Spark arrestor screen is dirty.</p>	<p>Use fresh fuel and the correct 2-cycle lubricant mix.</p> <p>Clean air filter screen. Refer to <b>Cleaning The Air Filter Screen</b> earlier in this manual.</p> <p>Contact a servicing dealer.</p>
Engine starts, runs, and accelerates but will not idle.	Idle speed screw on carburetor needs adjustment	Turn idle speed screw clockwise to increase idle speed. <i>See figure 11.</i> The blades should not move at idle.

# WARRANTY

## LIMITED WARRANTY STATEMENT

Techtronic Industries North America, Inc., warrants to the original retail purchaser that this RYOBI® brand outdoor product is free from defect in material and workmanship and agrees to repair or replace, at Techtronic Industries North America, Inc.'s, discretion, any defective product free of charge within these time periods from the date of purchase.

- Two years if the product is used for personal, family or household use;
- 90 days, if used for any other purpose, such as commercial or rental.

This warranty extends to the original retail purchaser only and commences on the date of the original retail purchase.

Any part of this product found in the reasonable judgment of Techtronic Industries North America, Inc. to be defective in material or workmanship will be repaired or replaced without charge for parts and labor by an authorized service center for RYOBI® brand outdoor products (Authorized Ryobi Service Center).

The product, including any defective part, must be returned to an authorized RYOBI service center within the warranty period. The expense of delivering the product to the service center for warranty work and the expense of returning it back to the owner after repair or replacement will be paid by the owner. Techtronic Industries North America, Inc.'s, responsibility in respect to claims is limited to making the required repairs or replacements and no claim of breach of warranty shall be cause for cancellation or rescission of the contract of sale of any RYOBI® brand outdoor product. Proof of purchase will be required by the dealer to substantiate any warranty claim. All warranty work must be performed by an authorized service dealer.

This warranty is limited to ninety (90) days from the date of original retail purchase for any RYOBI® brand outdoor product that is used for rental or commercial purposes, or any other income-producing purpose.

This warranty does not cover any product that has been subject to misuse, neglect, negligence, or accident, or that has been operated in any way contrary to the operating instructions as specified in this operator's manual. This warranty does not apply to any damage to the product that is the result of improper maintenance or to any product that has been altered or modified. The warranty does not extend to repairs made necessary by normal wear or by the use of parts or accessories which are either incompatible with the RYOBI® brand outdoor product or adversely affect its operation, performance, or durability. In addition, this warranty does not cover:

- A. Tune-ups – Spark Plugs, Carburetor, Carburetor Adjustments, Ignition, Filters
- B. Wear items – Bump Knobs, Outer Spools, Cutting Lines, Inner Reels, Starter Pulleys, Starter Ropes, Drive Belts, Tines, Felt Washers, Hitch Pins, Mulching Blades, Blower Fans, Blower and Vacuum Tubes, Vacuum Bag and Straps, Guide Bars, Saw Chains

Techtronic Industries North America, Inc., reserves the right to change or improve the design of any RYOBI® brand outdoor product without assuming any obligation to modify any product previously manufactured.

ALL IMPLIED WARRANTIES ARE LIMITED IN DURATION TO THE STATED WARRANTY PERIOD. ACCORDINGLY, ANY SUCH IMPLIED WARRANTIES INCLUDING MERCHANTABILITY, FITNESS FOR A PARTICULAR PURPOSE, OR OTHERWISE, ARE DISCLAIMED IN THEIR ENTIRETY AFTER THE EXPIRATION OF THE APPROPRIATE TWO-YEAR, ONE-YEAR, OR NINETY-DAY WARRANTY PERIOD. TECHTRONIC INDUSTRIES NORTH AMERICA, INC.'S, OBLIGATION UNDER THIS WARRANTY IS STRICTLY AND EXCLUSIVELY LIMITED TO THE REPAIR OR REPLACEMENT OF DEFECTIVE PARTS AND TECHTRONIC INDUSTRIES NORTH AMERICA, INC., DOES NOT ASSUME OR AUTHORIZE ANYONE TO ASSUME FOR THEM ANY OTHER OBLIGATION. SOME STATES DO NOT ALLOW LIMITATIONS ON HOW LONG AN IMPLIED WARRANTY LASTS, SO THE ABOVE LIMITATION MAY NOT APPLY TO YOU. TECHTRONIC INDUSTRIES NORTH AMERICA, INC., ASSUMES NO RESPONSIBILITY FOR INCIDENTAL, CONSEQUENTIAL, OR OTHER DAMAGES INCLUDING, BUT NOT LIMITED TO, EXPENSE OF RETURNING THE PRODUCT TO AN AUTHORIZED RYOBI SERVICE CENTER AND EXPENSE OF DELIVERING IT BACK TO THE OWNER, MECHANIC'S TRAVEL TIME, TELEPHONE OR TELEGRAM CHARGES, RENTAL OF A LIKE PRODUCT DURING THE TIME WARRANTY SERVICE IS BEING PERFORMED, TRAVEL, LOSS OR DAMAGE TO PERSONAL PROPERTY, LOSS OF REVENUE, LOSS OF USE OF THE PRODUCT, LOSS OF TIME, OR INCONVENIENCE. SOME STATES DO NOT ALLOW THE EXCLUSION OR LIMITATION OF INCIDENTAL OR CONSEQUENTIAL DAMAGES, SO THE ABOVE LIMITATION OR EXCLUSION MAY NOT APPLY TO YOU.

This warranty gives you specific legal rights, and you may also have other rights which vary from state to state.

This warranty applies to all RYOBI® brand outdoor products manufactured by or for Techtronic Industries North America, Inc., and sold in the United States and Canada.

To locate your nearest Authorized Ryobi Service Center, dial 1-800-860-4050.

# WARRANTY

**THE FOLLOWING CALIFORNIA AIR RESOURCES BOARD (CARB) STATEMENT ONLY APPLIES TO MODEL NUMBERS REQUIRED TO MEET THE CARB REQUIREMENTS.**

## **TECHTRONIC INDUSTRIES NORTH AMERICA, INC., LIMITED WARRANTY STATEMENT FOR FEDERAL AND CALIFORNIA EMISSION CONTROL SYSTEMS NON-ROAD AND SMALL OFF-ROAD ENGINES**

### **YOUR WARRANTY RIGHTS AND OBLIGATIONS**

The U.S. Environmental Protection Agency (EPA), the California Air Resources Board (CARB), and Techtronic Industries North America, Inc., are pleased to explain the Emissions Control System Warranty on your 2008 model year non-road or small off-road engine. In California, new equipment that uses small off-road engines must be designed, built, and equipped to meet the state's stringent anti-smog standards. In other states, new 2000 and later model year non-road engines must be designed, built, and equipped at the time of sale to meet the U.S. EPA regulations for small non-road engines. The non-road engine must be free from defects in materials and workmanship which cause it to fail to conform with U.S. EPA standards for the first two years of engine use from the date of sale to the ultimate purchaser. Techtronic Industries North America, Inc., must warrant the emission control system on your non-road or small off-road engine for the period of time listed above provided there has been no abuse, neglect, or improper maintenance of your non-road or small off-road engine.

Your emission control system may include parts such as the carburetor or fuel injection system, the ignition system, catalytic converters, fuel tanks, valves, filters, clamps, connectors, and other associated components. Also included may be hoses, belts and connectors, and other emission-related assemblies.

Where a warrantable condition exists, Techtronic Industries North America, Inc., will repair your non-road or small off-road engine at no cost to you, including diagnosis, parts, and labor performed at an authorized service center for RYOBI® brand outdoor products.

### **MANUFACTURER'S WARRANTY COVERAGE:**

This product's emissions control system is warranted for two years. If any emission-related part on your engine is defective, the part will be repaired or replaced by Techtronic Industries North America, Inc., free of charge.

### **OWNER'S WARRANTY RESPONSIBILITIES**

(a) As the non-road or small off-road engine owner, you are responsible for the performance of the required maintenance listed in your operator's manual. Techtronic Industries North America, Inc., recommends that you retain all receipts covering maintenance on your non-road or small off-road engine, but Techtronic Industries North America, Inc., cannot deny warranty solely for the lack of receipts or for your failure to ensure the performance of all scheduled maintenance. Any replacement part or service that is equivalent in performance and durability may be used in non-warranty maintenance or repairs, and shall not reduce the warranty obligations of Techtronic Industries North America, Inc.

(b) As the non-road or small off-road engine owner, you should be aware, however, that Techtronic Industries North America, Inc., may deny you warranty coverage if your non-road or small off-road engine or a part has failed due to abuse, neglect, improper maintenance, or unapproved modifications.

(c) You are responsible for presenting your non-road or small off-road engine to an authorized service dealer as soon as a problem exists. The warranty repairs should be completed in a reasonable amount of time, not to exceed 30 days.

If you have any questions regarding your warranty rights and responsibilities, you should contact a Techtronic Industries North America, Inc., Customer Representative at 1-800-860-4050.

### **DEFECT WARRANTY COVERAGE REQUIREMENTS:**

(a) The warranty period begins on the date the engine or equipment is delivered to an ultimate purchaser.

(b) General Emissions Warranty Coverage. Techtronic Industries North America, Inc., warrants to the ultimate purchaser and each subsequent purchaser that your non-road or small off-road engine is designed, built, and equipped at the time of sale to conform with all applicable regulations adopted by the California Air Resources Board or the United States Environmental Protection Agency; and that it is free from defects in materials and workmanship which cause the engine to fail to conform with applicable regulations for a period of two years from the date the non-road or small off-road engine is purchased by the initial purchaser.

(c) The warranty on emissions-related parts will be interpreted as follows: Any warranted part that is not scheduled for replacement as required in the Emissions Maintenance Schedule and Warranty Parts List set forth below is warranted for two years. If any such part (including any part that is scheduled only for regular inspection) fails during the period of warranty coverage, it will be repaired or replaced at any RYOBI® Authorized Service Center at no charge. Any such part repaired or replaced under warranty will be warranted for the remaining warranty period. A statement to the effect of "repair or replace as necessary" would not reduce the period of warranty coverage. Any warranted part that is scheduled for replacement as required maintenance in the Emissions Maintenance Schedule and Warranty Parts List is warranted for the period of time prior to the first scheduled replacement point for that part. Any such part repaired or replaced under warranty is warranted for the remainder of the period prior to the first scheduled replacement point, and will be repaired or replaced at any RYOBI® Authorized Service Center for no charge until that replacement point is reached.

Techtronic Industries North America, Inc., shall remedy warranty defects at any authorized RYOBI® Authorized Service Center, including any distribution center that may be franchised to service the subject engines. Any diagnostic work done at a RYOBI® Authorized Service Center shall be free of charge to the owner if such work determines that a warranted part is defective. Any manufacturer-approved or equivalent replacement part may be used for any warranty maintenance or repairs on emission-related parts, and must be provided free of charge to the owner if the part is still under warranty. Techtronic Industries North America, Inc., is liable for damages to other engine components caused by the failure of a warranted part still under warranty.

Add-on or modified parts that are not exempted by the California Air Resource Board may not be used. The use of any non-exempted add-on or modified parts will be grounds for disallowing a warranty claim. Techtronic Industries North America, Inc., will not be liable to warrant failures of warranted parts caused by the use of a non-exempted add-on or modified part.

The California Air Resources Board's Emission Warranty Parts List specifically defines the emission-related warranted parts. (EPA's regulations do not include a parts list, but the EPA considers emission-related warranted parts to include all the parts listed below.) Techtronic Industries North America, Inc., will provide any documents that describe its warranty procedures or policies within five days upon request by the California Air Resources Board.

### **EMISSIONS PARTS LIST**

Emissions parts vary from product to product. Your emissions control system warranty applies to any of the following components that may be included on your product:

- (1) Fuel Metering System
  - (i) Carburetor and internal parts (and/or pressure regulator or fuel injection system).
  - (ii) Air/fuel ratio feedback and control system.
  - (iii) Cold start enrichment system.
  - (iv) Fuel Tank.
- (2) Air Induction System
  - (i) Controlled hot air intake system.
  - (ii) Intake manifold.
  - (iii) Air filter.
- (3) Ignition System
  - (i) Spark Plugs.
  - (ii) Magneto or electronic ignition system.
  - (iii) Spark advance/retard system.
- (4) Exhaust Gas Recirculation (EGR) System
  - (i) EGR valve body and carburetor spacer, if applicable.
  - (ii) EGR rate feedback and control system.
- (5) Air Injection System
  - (i) Air pump or pulse valve.
  - (ii) Valves affecting distribution of flow.
  - (iii) Distribution manifold.
- (6) Catalyst or Thermal Reactor System
  - (i) Catalytic converter.
  - (ii) Thermal reactor.
  - (iii) Exhaust manifold.
- (7) Particulate Controls
  - (i) Traps, filters, precipitators, and any other device used to capture particulate emissions.
- (8) Miscellaneous Items Used in Above Systems
  - (i) Electronic controls.
  - (ii) Vacuum, temperature, and time sensitive valves and switches.
  - (iii) Hoses, belts, connectors, and assemblies.

Techtronic Industries North America, Inc., will furnish with each new engine written instructions for its maintenance and use by the owner.

The Emissions Compliance Period referred to on the Emissions Compliance label indicates the number of operating hours for which the engine has been shown to meet Federal emission requirements. Category C=50 hours, B=125 hours, and A=300 hours.



# WARRANTY

## THIS PRODUCT WAS MANUFACTURED WITH A CATALYST MUFFLER

**Congratulations!** You have made an investment toward protecting the environment. In order to maintain this product's original emission level, please refer to the maintenance section below.

### EMISSIONS MAINTENANCE SCHEDULE AND WARRANTED PARTS LIST

Emissions Parts	Inspect Before Each Use	Clean Every 5 Hours	Replace Every 25 Hours or Yearly	Clean Every 25 Hours or Yearly	Replace Every 50 Hours
<b>CATALYST MUFFLER ASSEMBLY</b> .....					X
<b>AIR FILTER ASSY</b>					
includes:					
Filter Screen .....		X			
<b>SPARK SCREEN</b> .....					X
<b>FUEL TANK ASSY</b>					
includes:					
Fuel Lines .....			X		
Fuel Cap .....			X		
<b>IGNITION ASSY</b>					
includes:					
Spark Plug .....			X		
ALL EMISSIONS-RELATED PARTS ARE WARRANTED FOR TWO YEARS OR FOR THE PERIOD OF TIME PRIOR TO THE PARTS FIRST SCHEDULED REPLACEMENT WHICHEVER COMES FIRST.					



## CALL US FIRST

For any questions about operating or maintaining your product,  
call the Ryobi® Help Line!

Your product has been fully tested prior to shipment  
to ensure your complete satisfaction.



# OPERATOR'S MANUAL

## 26cc HEDGE TRIMMER

### RY39500

(ALL VERSIONS)

#### **⚠ WARNING:**

The engine exhaust from this product contains chemicals known to the State of California to cause cancer, birth defects, or other reproductive harm.

#### **CALIFORNIA PROPOSITION 65**

#### **• PARTS AND SERVICE**

Prior to requesting service or purchasing replacement parts, please obtain your model and serial number from the product data plate.

- MODEL NUMBER RY39500
- SERIAL NUMBER \_\_\_\_\_

#### **• HOW TO OBTAIN REPLACEMENT PARTS:**

Replacement parts can be purchased online at **www.ryobitools.com** or by calling 1-800-860-4050. Replacement parts can also be obtained at one of our Authorized Service Centers.

#### **• HOW TO LOCATE AN AUTHORIZED SERVICE CENTER:**

Authorized Service Centers can be located online at **www.ryobitools.com** or by calling 1-800-860-4050.

#### **• HOW TO OBTAIN CUSTOMER OR TECHNICAL SUPPORT:**

To obtain Customer or Technical Support please contact us at 1-800-860-4050.

RYOBI® is a registered trademark of Ryobi Limited used under license.

### **TECHTRONIC INDUSTRIES NORTH AMERICA, INC.**

1428 Pearman Dairy Road  
Anderson, SC 29625  
Phone 1-800-860-4050  
www.ryobitools.com